



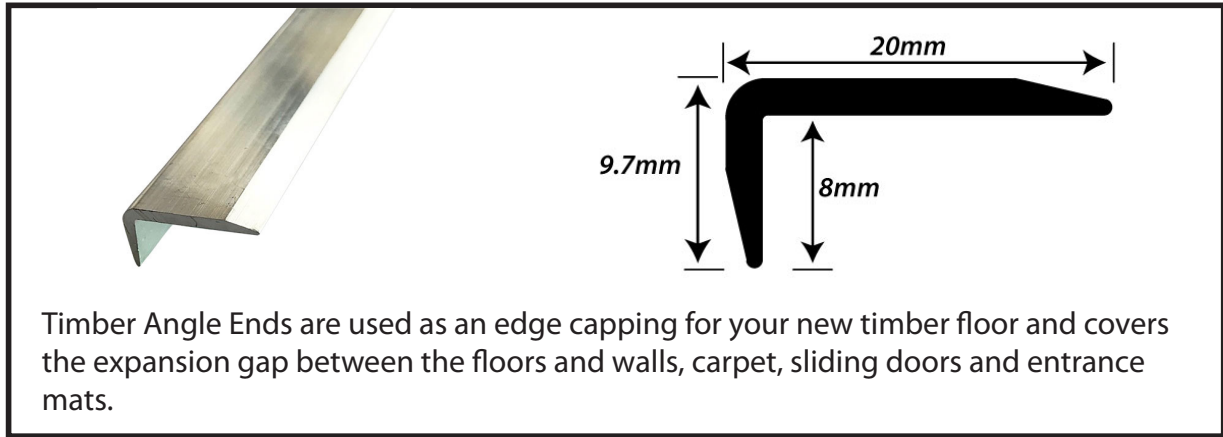
Gilt Edge Industries Ltd®

Customer Services  
CHC : 03 379 7067 or AKL: 09 443 7067  
Email: help@giltedge.co.nz

Technical & Sales Assistance  
Email: help@giltedge.co.nz  
www.giltedge.co.nz

## PRODUCT DATA SHEET

### 6392 8mm Timber Angle End 8mm



Timber Angle Ends are used as an edge capping for your new timber floor and covers the expansion gap between the floors and walls, carpet, sliding doors and entrance mats.

#### Product Attributes

6392 8mm Timber Angle End is an aluminium, colour anodised, edge capping for floating floors edging. Designed to be retro-fitted Suitable for interior and exterior use and suitable for floorcoverings 8mm or thicker.

Material: Aluminium Colours: Satin Silver/ Matt Black/ Champagne Anodised Length: 2.5mtr

#### Specification

Manufacturer: Gilt Edge Industries 110 Antigua Street, Addington Christchurch 8240

P O Box 7515 Sydenham Phone: 0800 445 833 Fax: 0800 103 649

Email: help@giltedge.co.nz

Reference Code: 6392S8mm Satin Silver  
6392B8mm Matt Black  
6392C8mm Champagne

#### Installation

The Timber Angle the most widely used trim to retro fit and as a generic problem solver where flooring is joining carpet, ceramic tiles (at the same height), window frames, sliding door tracks and walls. This trim should be adhered if possible, to the floorcoverings leading edge with Gilt Edge Double sided scrim tape.

#### Maintenance

A regular scheduled maintenance programme prevents build-up of dirt and grease, which will reduce properties of and detract from the overall appearance of the product. Brush down the profiles using a soft bristled brush.

With clean warm water, apply a small amount of a soap-less detergent to a wet green scotch pad and gently clean the surface of the profile along it's width with fresh, clean water and dry with a dry lint free cloth.